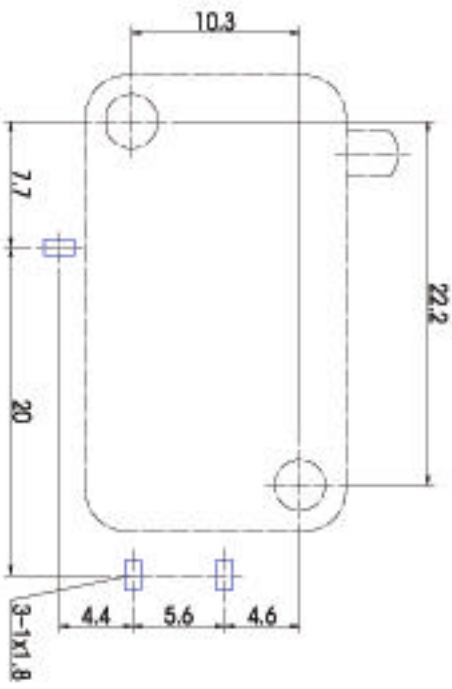
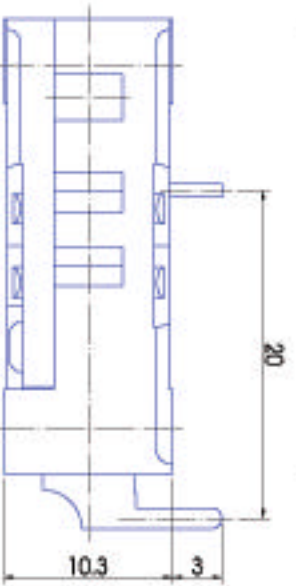
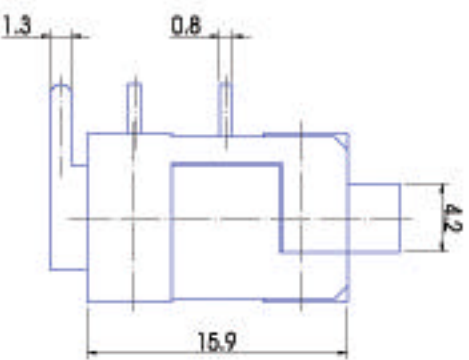
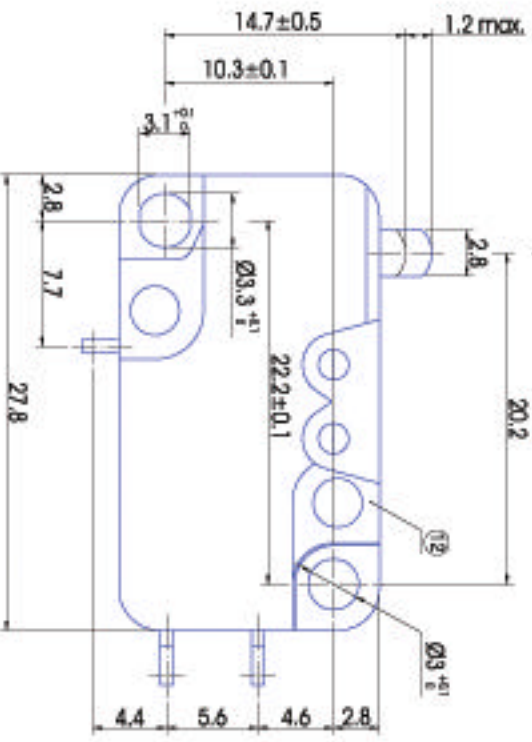


OF=100gf max

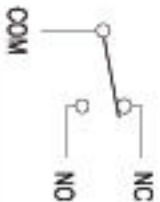


P.C.B. LAYOUT
Top View



SPECIFICATION:

- Rating: 16(A)/A 250VAC
- Ambient Temperature: T125
- Contact Resistance: 50m ohm Max
- Insulation Resistance: 100M ohm at 500VDC Min
- Dielectric Strength: AC1000V, 50/60Hz, 1 minute
- Between each terminals of the same polarity
- Between current-carrying metal parts and ground, and between each terminal and non-current-carrying metal parts
- Electrical Life: AC3750V, 50/60Hz, 1 minute 10,000 cycles min.
- Contact Material: Silver alloy
- Operation Force (OF): 100gf max.
- Release Force (RF): 30gf min.
- Pre-travel (PT): 1.2mm max.
- Over-travel (OT): 1.3mm min.
- Movement Differential (MD): 0.3mm max.



SPDT

NO	PART NAME	QTY	MATERIAL	REMARKS
12	COVER	1	PBT420SE0, 94V-0	White
11	TIP, FIXED	1	AgCd012/Cu	Ag Plated
10	N.C. TERMINAL	1	Brass strip	Ag Plated
9	N.O. TERMINAL	1	Brass strip	Ag Plated
8	TIP, FIXED	1	AgCd012/Cu	Ag Plated
7	TIP, MOVING	1	AgCd012	Ag Plated
6	SPRING	1	Stainless steel	
5	ACTUATING SPRING	1	Tin Bronze	Ag Plated
4	COM. TERMINAL	1	Brass strip	Ag Plated
3	CASE	1	PBT420SE0, 94V-0	White
2	ACTUATOR BASE	1	Stainless steel	
1	PIN PLUNGER	1	PBT, 94V-0	White

DRAWN: Z.L.Y.	UNIT: mm	DATE:	TITLE: MICRO SWITCH
CHKD: W. Y.	SCALE:	PAGE:	PART NO.: MS1-1620-L
APVD: C.S.C.			