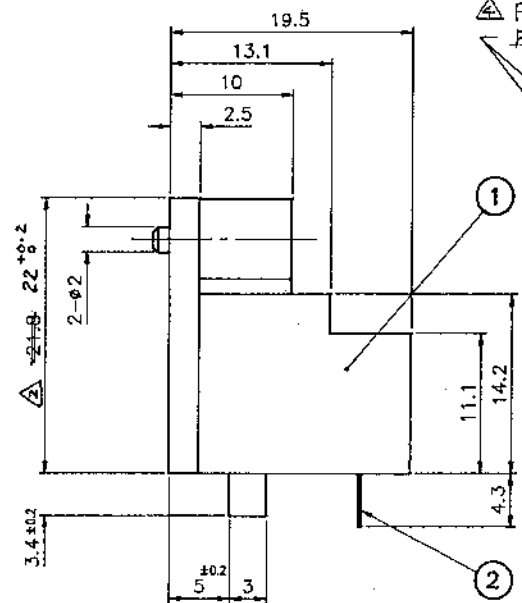
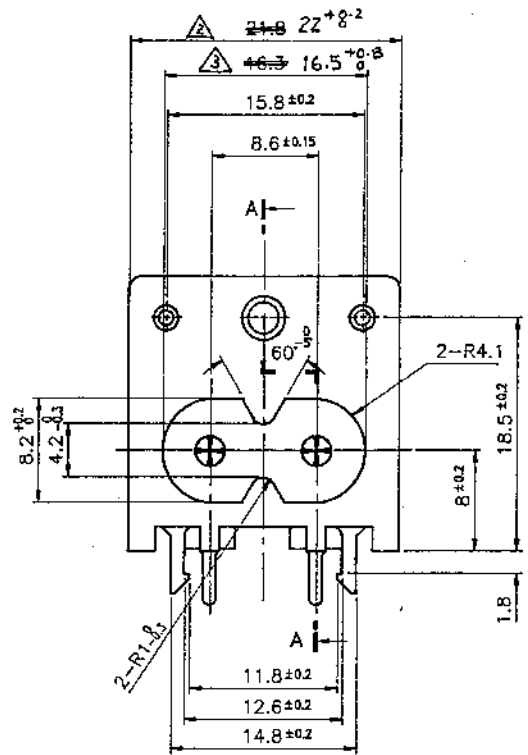
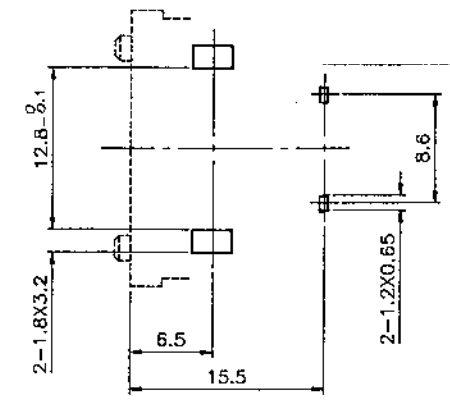
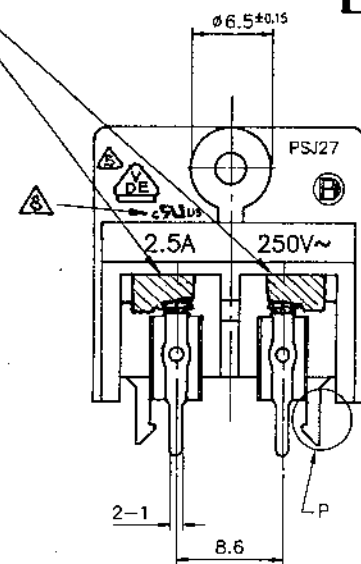


REVISION

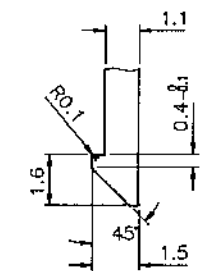
LTR	DESCRIPTION	DATE	APPROVED
△	FROM NORYL SE100 CHANGED TO PET/GF 30% UL94V-0	13-11-97	K.F.IM
2x△	FROM 21.8 CHANGED TO 22 ^{+0.2}	27-6-00	K.F.IM
△	FROM 16.3 CHANGED TO 16.5 ^{+0.8}	27-6-00	K.F.IM
2x△	ADDED FLAT PORTIONS	17-3-01	K.F.IM
△	ADDED VDE MARK	16.7.01	K.F.IM



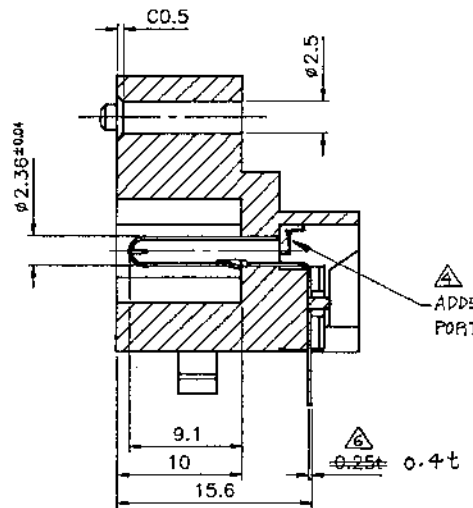
△ FLAT PORTIONS TO PREVENT PULL-OUT FROM FRONT FACE.



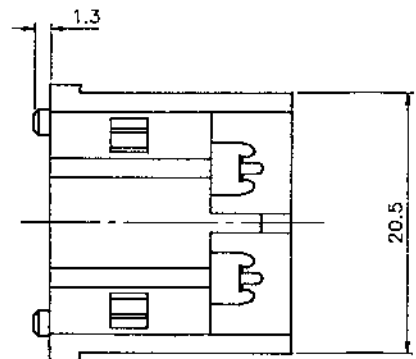
PC BOARD HOLE LAYOUT



DETAIL OF P 5/1



SECTION AA



2	PIN	2	BRASS 0.4t Sn PLATED	Sn △
1	HOUSING	1	PET/GF 30% UL94V-0 NORYL SE100 UL94V-0	BLACK

LET	PART NAME	QTY	MATERIAL	REMARK
PART NAME		AC POWER SOCKET		DWG NO. PSJ27
MATL		AS SHOWN IN TABLE		SCALE 2/1 mm
DATE	1-11-97			DRN K.F.IM
FINISHED				

TOLERANCES
 X ≤ 5 = ± 0.30
 X > 5 = ± 0.10
 ANGULAR = ± 3°
 DO NOT SCALE DWG.