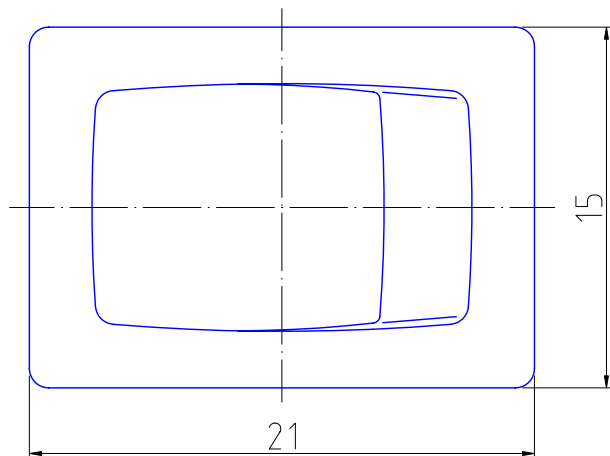
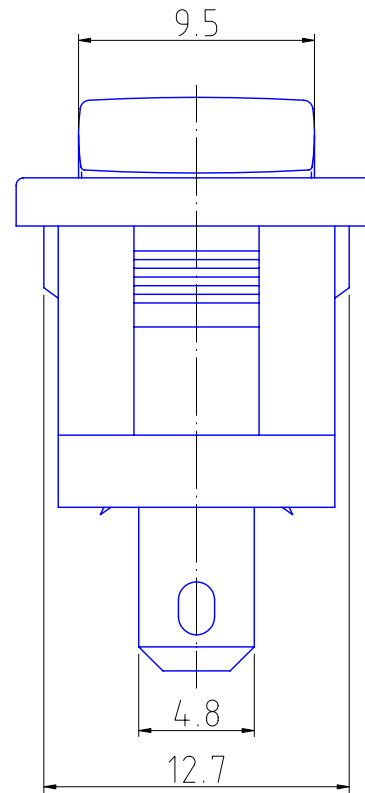
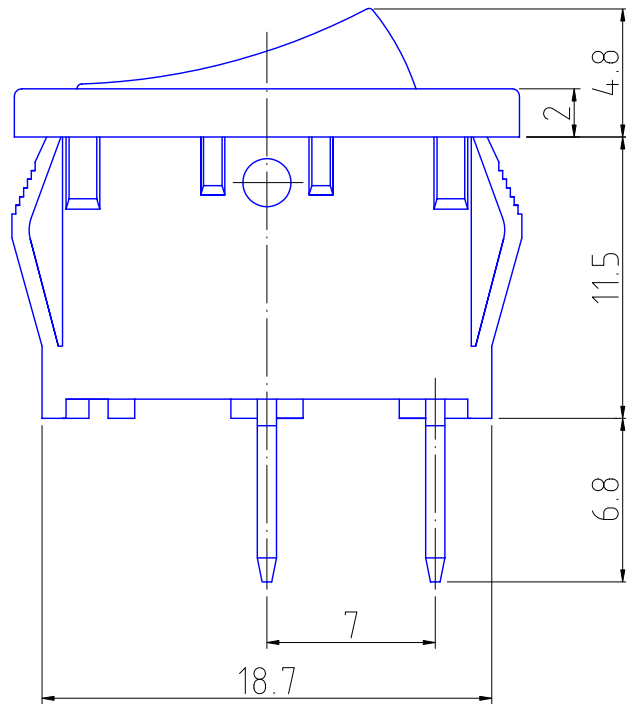


HOW TO ORDER

KCD10505-21-○○-○○

CODE	BASE COLOR	CODE	ACTUATOR COLOR	CODE	ACTUATOR MARKING OPTION	CODE	THE COLOR OF THE MARKS
B	BLACK	B	BLACK	1		B	BLACK
R	RED	R	RED	2		G	GREY
W	WHITE	W	WHITE	3		R	RED
G	GREY	G	GREY	4		W	WHITE
:	:	:	:	10		:	:
:	:	:	:	14		:	:
:	:	:	:	:	:	:	:



SPECIFICATION

Rating:	6A 250VAC, 10A 125VAC(UL, cUL)
Contact Resistance:	50m ohm Max
Insulation Resistance:	1,000M OHM Min
Withstand Voltage:	1,000VAC 1minute
Life:	10,000 cycles
Switch Function:	ON-OFF

Material / Color

Base:	Nylon
Actuator:	Nylon
Contacts:	Silver Alloy

DWN: Z.L.Y.		
CHKD: W. Y.	UNIT: mm	TITLE: ROCKER SWITCH
APVD: C.S.C.	SCALE:	PART NO.: KCD10505-21-○○-○○